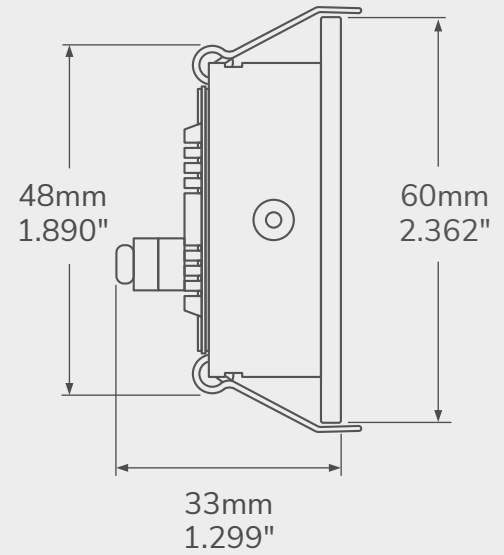




TECHNICAL DRAWING



TECHNICAL SPECIFICATIONS

- | | | | |
|-----------------|-----------------|----------------|--------------------------|
| • Input Voltage | : DC 12V | • Dimmable | : Yes |
| • LED Power | : 3 Watt | • Working Temp | : 40°C at room temp 25°C |
| • Color Options | : 3000K - 4000K | • Warranty | : 3 Years |
| • Lumen Output | : 250 LM | • Lifespan | : 25 000 hrs |
| • Beam Angle | : 45° | | |
| • CRI | : >80 | | |
| • IP class | : IP 20 | | |
| • Color | : Stainless | | |
| • Cutout Size | : 48mm | | |

PRODUCT NUMBERS

- | | |
|-------|---------------|
| 3000K | : LCPK700-30K |
| 4000K | : LCPK700-40K |