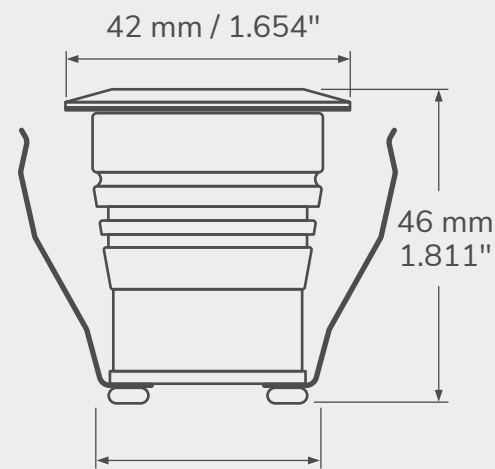


TECHNICAL DRAWING



Cutout: 32 mm / 1.260"

TECHNICAL SPECIFICATIONS

- Input Voltage : DC 12V
- LED Power : 3 Watt
- Color Temperature : 3000K - 4000K
- Lumen Output : 135 LM
- IRC : 80+
- Beam Angle : 45°
- Dimensions : 42 x 46mm
- Cutout Size : 32mm
- Dimmable : No
- Lifespan : +50 000 hours
- Warranty : 3 Years

FEATURES

- Small recessed light
- Suitable for indoor and outdoor use
- Simple to install
- Available in Brushed aluminium only

PRODUCT NUMBERS

- 3000K : LCPK500-30K
- 4000K : LCPK500-40K