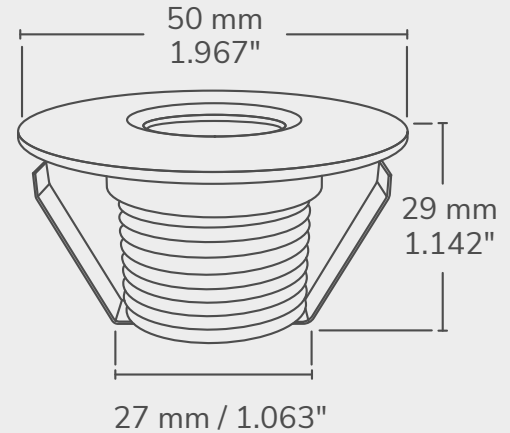


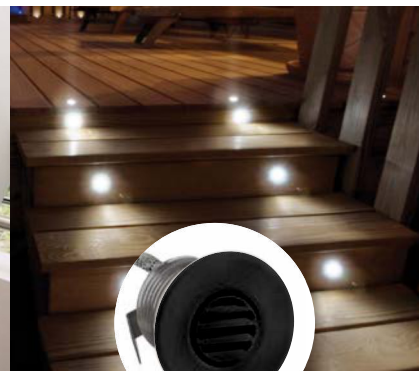
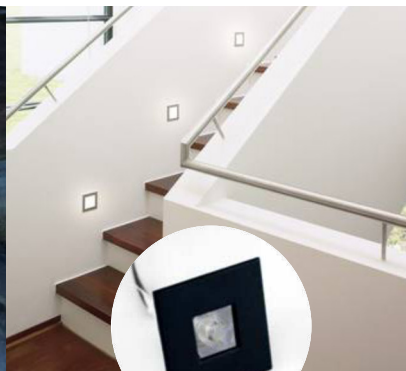
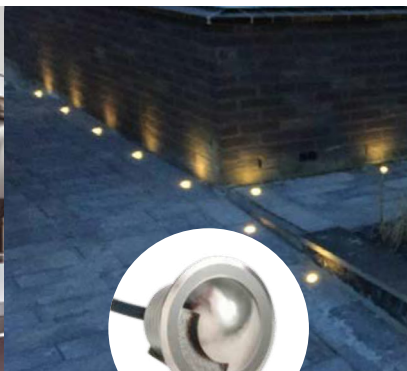


### TECHNICAL DRAWING



### TECHNICAL SPECIFICATIONS

- |                           |                     |                     |   |
|---------------------------|---------------------|---------------------|---|
| • Voltage                 | : 12/24 V DC        | • Cutout size       | : 35mm / 1.378 inches                           |
| • Light Intensity         | : 125 Lumens        | • Lifespan          | : 25 000 Hours                                  |
| • Consumption             | : 1 Watts           | • Dimmable          | : Yes   |
| • Incandescent Equivalent | : 20 Watts          | • Protection Rating | : IP67  |
| • Colors and temperatures | : 3000K, 4000K, RGB | • Trim Options      | : 1 side, 2 sides, Round, Square & Round Louver |
| • Projection angle        | : 25°               | • Trim Colors       | : White, Black & Brushed Stainless              |
| • IRC                     | : >80               |                     |   |
| • Power Factor            | : +90               |                     |   |



**TRIM OPTIONS**

**MODELS**

**PRODUCT NUMBERS**



1 Way Stainless Steel

LCPK2000R-1W-1S-30K

LCPK2000R-1W-1S-40K



2 Way Stainless Steel

LCPK2000R-1W-2S-30K

LCPK2000R-1W-2S-40K



Square Black

LCPK2000S-1W-BK-30K

LCPK2000S-1W-BK-40K



Square White

LCPK2000S-1W-WH-30K

LCPK2000S-1W-WH-40K



Square Brushed Stainless

LCPK2000S-1W-BS-30K

LCPK2000S-1W-BS-40K



Round Black

LCPK2000R-1W-BK-30K

LCPK2000R-1W-BK-40K



Round White

LCPK2000R-1W-WH-30K

LCPK2000R-1W-WH-40K



Round Brushed Stainless

LCPK2000R-1W-BS-30K

LCPK2000R-1W-BS-40K



Round Louver Black

LCPK2000P-1W-BK-30K

LCPK2000P-1W-BK-40K



Round Louver Stainless

LCPK2000P-1W-BS-30K

LCPK2000P-1W-BS-40K